

014683 Wireless LAN Antennas - Omni Antennas - HOL-2400/5000 -

仕様

◆Electrical Specifications

Item	Specification
Frequency Range	2.4~2.5 GHz
	3.4~3.7 GHz
	5.15~5.85 GHz
Gain	2 dBi
V.S.W.R(Max.)	Less than 2.0
Impedance	50 Ω
Polarization	Vertical
Power Input(max.)	10W

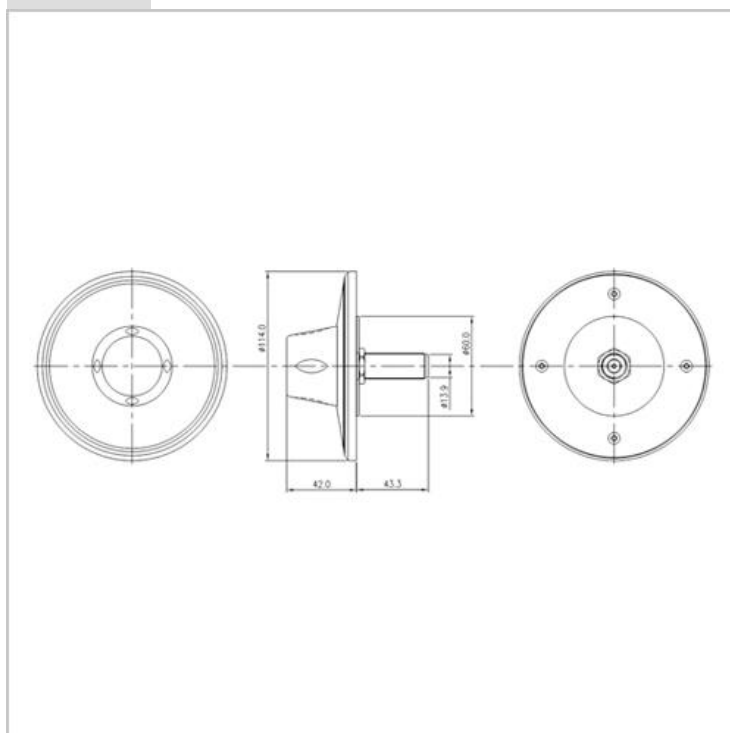
◆Mechanical

Item	Specification
Dimensions	Ø114 x 85.3mm
Weight	170g
Connector Type	N-Type Female
Mount type	Ceiling Mount
Operating Temperature	-30° ~ +60° C

製品写真



寸法図



014684 Wireless LAN Antennas - Omni Antennas - HOL-2450 -

仕様

◆ Electrical Specifications

Item	Specification
Frequency Range	2.4~2.483GHz
Gain	5dBi
Radiation	Omni Directional
3dB BeamWidth	Elevation 38 °
V.S.W.R(Max.)	Less than 1.7
Impedance	50 Ω(Nominal)
Polarization	Linear
Power Input(Max.)	10W

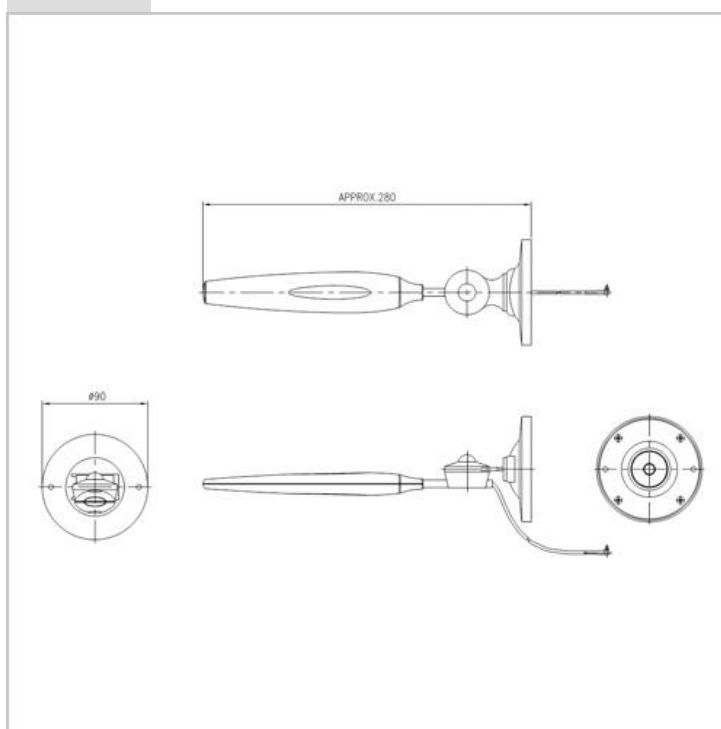
◆ Mechanical

Item	Specification
Dimensions	Dia 90 mm, Length 280mm
Color	Light Gray
Weight	310g(With Box, Installation kit)
Connector Type	MMCX R/A(optional)
Mount type	Stand / Wall / Ceiling
Operating Temperature	-30° ~ +60° C

製品写真



寸法図



014685 Wireless LAN Antennas - Omni Antennas - VC-2400P -

仕様

◆Electrical Specifications

Item	Specification
Frequency Range	2.4 ~ 2.483GHz
Gain	5dBi
3dB BeamWidth	38°
V.S.WR(Max.)	Less than 1.5
Impedance	50 Ω (Nominal)
Polarization	Vertical
Power Input(max.)	25W

◆Mechanical

Item	Specification
Dimensions	Max HEX: Ø22.0mm Length : 224mm
Weight	90g
Connector Type	N-Type Male
Operating Temperature	-30° ~ +60° C

製品写真



寸法図

