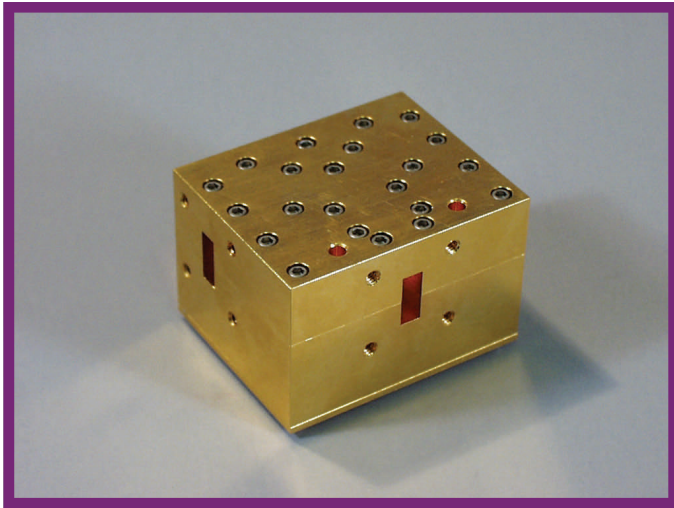


912 Series

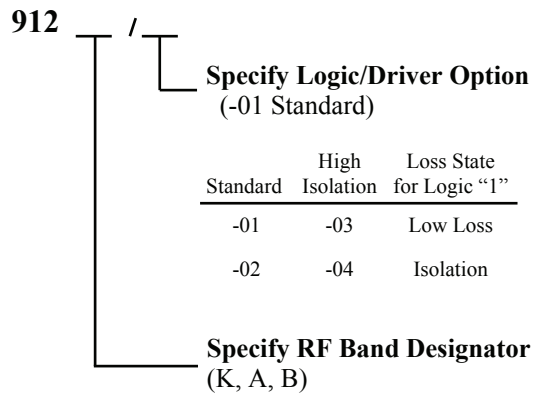
SPDT Pin Diode Switches



Features

- Series 912 Double Throw Switches (SPDT) - 6% Bandwidth

Ordering Information



Description

912 Series Switches

Mi-Wave's 912 series PIN diode switch is a SPDT reflective switch that combines low loss, high isolation performance with an integra TTL driver in a compact package. Various driver options are available and the 912 series switches are available in higher isolation versions up to 40 dB. These switches can also be supplied without drivers.

Please specify center frequency at time of order.

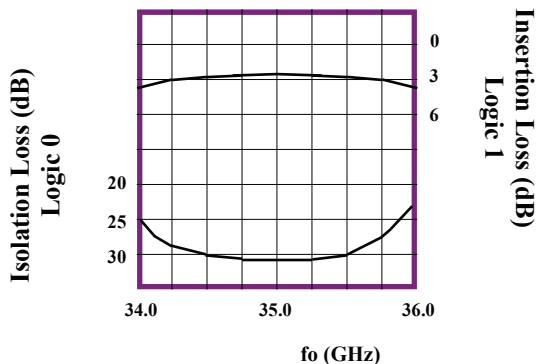
Applications

The 912 series of PIN switches can be used for a variety of applications including wave shaping, duplexing, pulse modulation, signal switching, and receiver protection.

Operating Specifications

Control Input.....	TTL
DC Power.....	+5/-12 Vdc
with Driver.....	+100/-10 mA
Operating Temperature...	0° C to +60° C
Storage Temperature.....	-55° C to +125° C
VSWR.....	1.5 Typical (Low Loss Condition)

Technical Performance



Mi-Wave

Millimeter Wave Products Inc.

www.miww.com

2200 Tall Pines Drive, Suite 100

Largo, FL 33771

Tel. (727) 536-0033 Fax. (727) 536-0012

E: sales@miww.com