

670, 671, 672, & 675 Series

H-Plane Bends



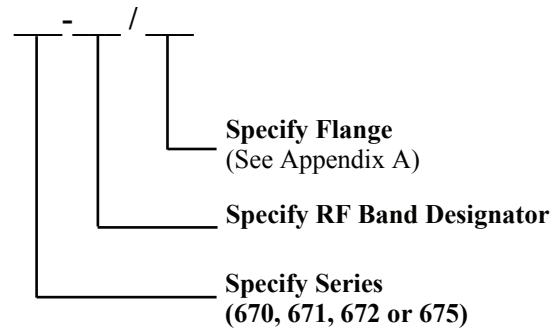
Features

- Available from 12.4 to 220 GHz
- Additional Radius and Angle Bends by Special Order
- Smooth Precision Bends Minimize Energy Reflections

Description 670, 671, 672 & 675 Series Bends

Mi-Wave's 670, 671, 672 and 675 series H-plane bends are sections of high-precision waveguide accurately shaped to either 30° (671), 45° (675), 60° (672), or 90° (670). Special angles, radii, and configurations for particular application can be developed on special order. All H-plane bends are available from 12.4 to 320 GHz.

Ordering Information



Applications

The H-plane bends series provide accurate offsets and directional changes in waveguide transmission lines for test and developmental applications. Manufactured to rigid specifications, these transmission line components provide minimum detrimental effects on the overall system VSWR.

Mi-Wave

Millimeter Wave Products Inc.

www.miwv.com

2200 Tall Pines Drive, Suite 100

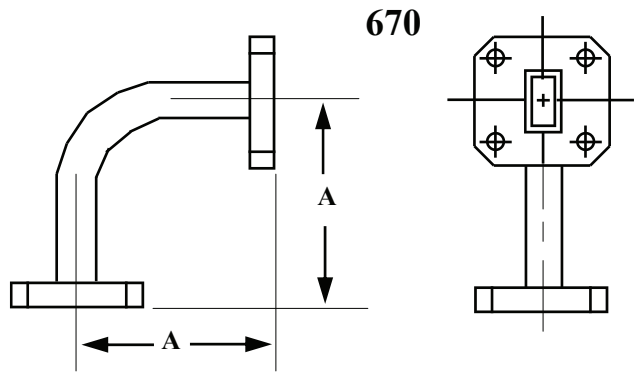
Largo, FL 33771

Tel. (727) 536-0033 Fax. (727) 536-0012

E: sales@miwv.com

670, 671, 672, & 675 Series

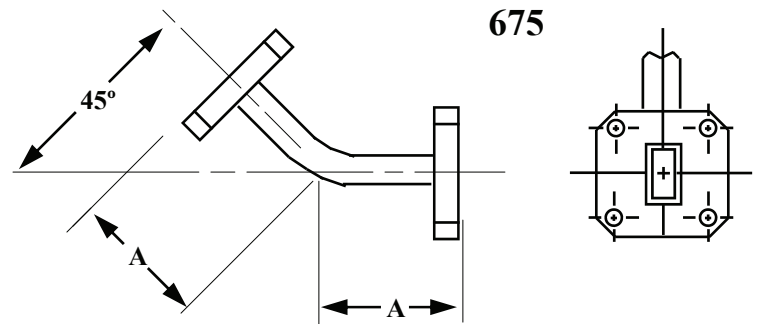
H-Plane Bends



660	90°
661	30°
662	60°
665	45°

Dimensional Specifications

Model Number	A		Weight (oz)
	in	mm	
670Ku, 671Ku, 672Ku	1.80	45.7	2.7
670K, 671K, 672K	1.50	38.1	2.7
670A, 671A, 672A	1.50	38.1	2.5
670B, 671B, 672B	1.50	38.1	2.3
670U, 671U, 672U	1.50	38.1	2.2
670V, 671V, 672V	1.00	25.4	1.7
670E, 671E, 672E	1.00	25.4	1.6
670W, 671W, 672W	1.00	25.4	1.5
670F, 671F, 672F	1.00	25.4	1.1
670D, 671D, 672D	1.00	25.4	0.8
670G, 671G, 672G	1.00	25.4	0.8
675Ku	1.80	45.7	2.4
675K	1.50	38.1	2.4
675A	1.50	38.1	2.5
675B	1.50	38.1	2.3
675U	1.50	38.1	2.2
675V	1.00	25.4	1.7
675E	1.00	25.4	1.6
675W	1.00	25.4	1.5
675F	1.00	25.4	1.1
675D	1.00	25.4	0.8
675G	1.00	25.4	0.8



Technical Specifications

Model Number	Frequency Band (GHz)	VSWR
670Ku, 671Ku, 672Ku, 675Ku 665Ku	12.4 - 18.0	1.10
670K, 671K, 672K, 675K	18.0 - 26.5	1.10
670A, 671A, 672A, 675A	26.5 - 40.0	1.10
670B, 671B, 672B, 675B	33.0 - 50.0	1.10
670U, 671U, 672U, 675U	40.0 - 60.0	1.12
670V, 671V, 672V, 675V	50.0 - 75.0	1.12
670E, 671E, 672E, 675E	60.0 - 90.0	1.12
670W, 671W, 672W, 675W	75.0 - 110.0	1.15
670F, 671F, 672F, 675F	90.0 - 140.0	1.15
670D, 671D, 672D, 675D	110.0 - 170.0	1.15
670G, 671G, 672G, 675G	140.0 - 220.0	1.15

Mi-Wave

Millimeter Wave Products, Inc.

www.miww.com

Tel. (727) 536-0033 Fax. (727) 536-0012

E: sales@miww.com