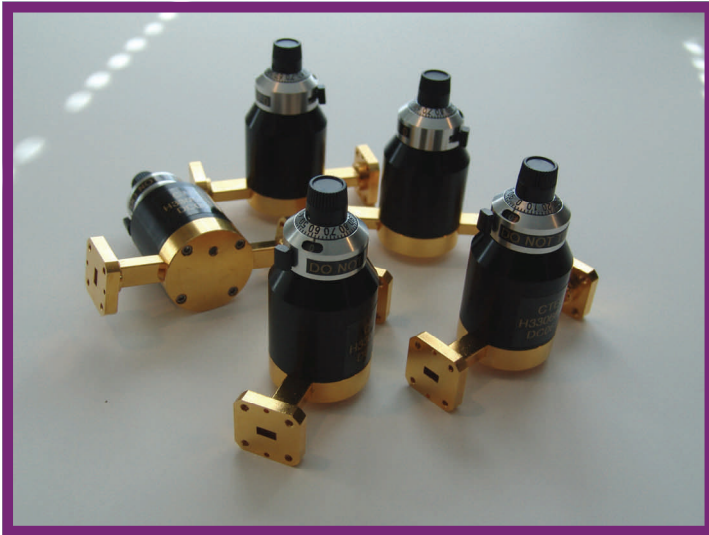


# 522 Series Dial-Driven Calibrated Attenuators



## Features

- Compact & Mechanically-Stable Design
- Smooth Anti-Backlash Attenuation Control
- High Resolution Over Wide Attenuation Range
- Microdial Knob with Calibration Curve for Repeatable Measurements

## Description 522 Series Attenuators

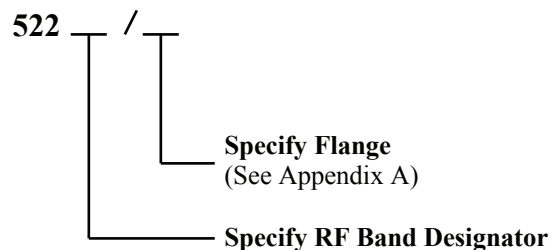
**Mi-Wave's** 522 series dial-driven calibrated attenuators are compact precision attenuating devices available in standard waveguide sizes from 18.0 to 110 GHz. Designed to maintain reliable performance for accurate test measurements, the stable setting control of these devices maintains constant attenuation under all normal conditions of vibration and orientation.

Each attenuator is calibrated at the frequency specified at the time of order, and a table of attenuation vs. dial-reading is included with every unit. Calibration data at other frequencies are also available.

## Applications

The 522 series dial-driven calibrated attenuators are designed for use in laboratory experimental and developmental applications which require high accuracy, resolution, and repeatability in attenuation measurements. These devices are frequently used as standard test equipment for antenna gain and radiation pattern measurements, directional coupler evaluation procedures, and waveguide component insertion loss tests.

## Ordering Information



Please specify center frequency at time of order.

## **Mi-Wave**

Millimeter Wave Products Inc.

[www.miwv.com](http://www.miwv.com)

2200 Tall Pines Drive, Suite 100

Largo, FL 33771

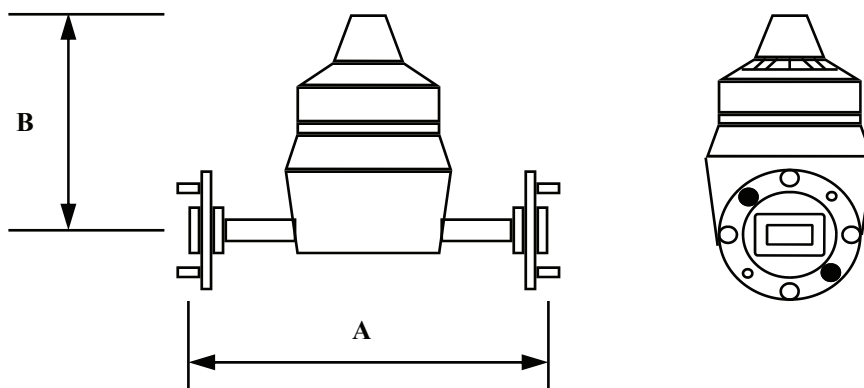
Tel. (727) 536-0033 Fax. (727) 536-0012

E: [sales@miwv.com](mailto:sales@miwv.com)

# 522 Series Dial-Driven Calibrated Attenuators

## Technical Specifications

| Model Number                    | 522K      | 522A      | 522B      | 522U      | 522V      | 522E      | 522W       |
|---------------------------------|-----------|-----------|-----------|-----------|-----------|-----------|------------|
| Frequency Band (GHz)            | 18.0-26.5 | 26.5-40.0 | 33.0-50.0 | 40.0-60.0 | 50.0-75.0 | 60.0-90.0 | 75.0-110.0 |
| Insertion Loss @ 0 Setting (dB) | 0.3       | 0.3       | 0.3       | 0.3       | 0.4       | 0.4       | 0.4        |
| Average Power (Watts)           | 1.5       | 1.0       | 1.0       | 1.0       | 0.6       | 0.6       | 0.5        |
| Weight (oz.)                    | 8.0       | 6.0       | 6.0       | 6.0       | 3.0       | 3.0       | 3.0        |



## Operating Specifications

|                                |  |
|--------------------------------|--|
| Attenuation Range . . . . .    | 0 dB to 25 dB Minimum  |
| Calibration Accuracy . . . . . | 0.1 dB to 1%   |
| VSWR (Max.) . . . . .          | 1.15   |
| Calibration Curve . . . . .    | Supplied for calibration frequency specified at time of order. |

## Dimensional Specifications

| Model No. | A    |      | B    |      |
|-----------|------|------|------|------|
|           | in   | mm   | in   | mm   |
| 522K      | 3.00 | 76.2 | 2.35 | 59.7 |
| 522A      | 2.75 | 69.9 | 2.16 | 54.9 |
| 522B      | 2.75 | 69.9 | 2.16 | 54.9 |
| 522U      | 2.75 | 69.9 | 2.16 | 54.9 |
| 522V      | 2.50 | 63.5 | 1.94 | 49.3 |
| 522E      | 2.50 | 63.5 | 1.94 | 49.3 |
| 522W      | 2.50 | 63.5 | 1.94 | 49.3 |

**Mi-Wave**

Millimeter Wave Products, Inc.

www.miww.com

Tel. (727) 536-0033 Fax. (727) 536-0012

E: sales@miww.com